

The buffers should be installed for smooth closing of the doors. The quantity of installed buffers depends on the closing of doors. If the doors close well after assembling, it is possible not to put any buffers.

Notes to the instruction

1. The assembling consequence is indicated by order numbers in the lower left corner of each image of the assembling operation.
2. Installed construction elements are marked with grey color.
3. Type and quantity of fixing materials are given in the upper left corner of the image.
4. The bracket is installed so the V-formed hole was on the opposite side against the wall.

Recommendation for use of the product

1. The strong case must be installed on the even horizontal surface.
2. The strong case should be loaded starting from the lower side of the cabinet.
3. It's recommended to distribute the load as evenly as possible on the shelf.

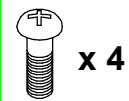
Notes

1. The holes for installing the bushes in the roof and the sill must be cleaned from the paint, if necessary.
2. There may be constructive changes not considered in the manual.
3. It's possible to conduct assembling on par. 6, 7 and 8 on the horizontal position of the cabinet.
4. After installing the sill, it's necessary to put a plastic bush (as shown in par. 4 of the scheme).

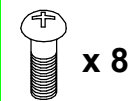
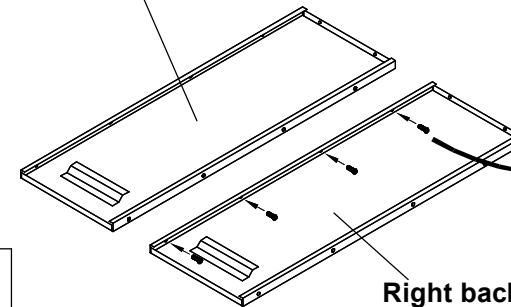
Assembly instruction for office cabinets M and AM



Video manual



Left back wall



Left side wall

